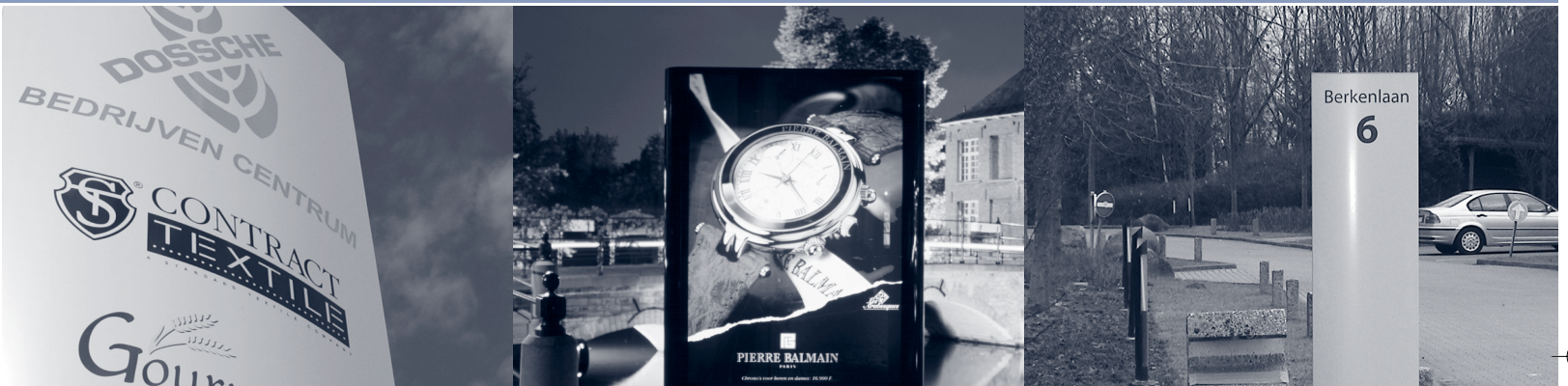


04:TOTEM



04:TOTEM

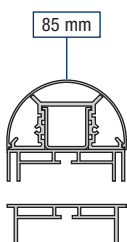
GLOBE

Versions

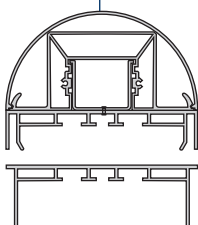
You can choose between the Lightbox sections and the Di-box sections. Both types are available in widths of 85, 135 and 180 mm.

As the name suggests, the Lightbox sections are used to make lightboxes, either single or double-sided, for displaying slides, posters etc.

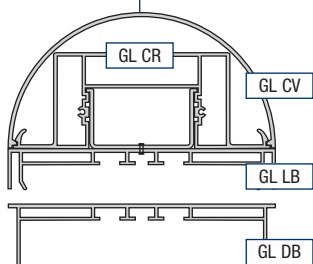
The Di-box system is intended more for making up complete columns with composite aluminium plates, which can have colours and text added to them. The two systems are also suitable for mounting in combination with each other.



85 mm



135 mm



180 mm

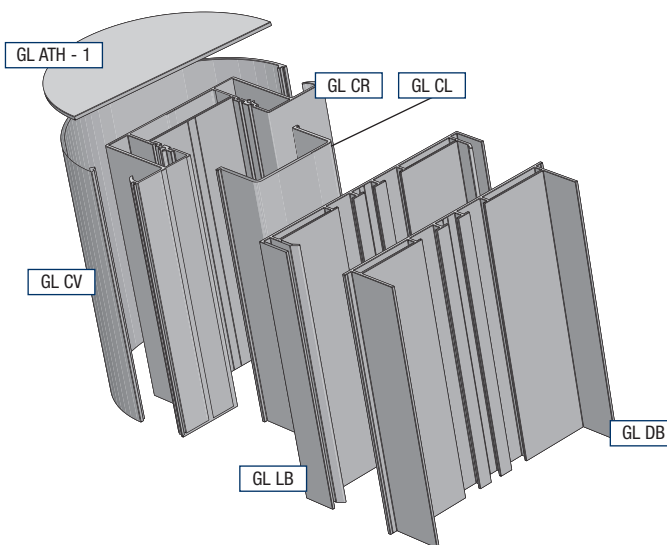
CODE	TYPE	MAXIMUM THICKNESS SHEET	MAXIMUM THICKNESS PLEXI
GL CV 085	Globe post profile 85 cover		
GL CR 085	Globe post profile 85 core		
GL CL 085	Globe post profile 85 clip		
GL LB 085	Globe light-box profile 85		5 mm
GL DB 085	Globe di-box profile 85	3 mm	
GL ATH 085-1	Globe alu top hat 85-1		
GL CV 135	Globe post profile 135 cover		
GL CR 135	Globe post profile 135 core		
GL CL 135	Globe post profile 135 clip		
GL LB 135	Globe light-box profile 135		5 mm
GL DB 135	Globe di-box profile 135	4 mm	
GL ATH 135-1	Globe alu top hat 135-1		
GL CV 180	Globe post profile 180 cover		
GL CR 180	Globe post profile 180 core		
GL CL 180	Globe post profile 180 clip		
GL LB 180	Globe light-box profile 180		5 mm
GL DB 180	Globe di-box profile 180	5 mm	
GL ATH 180-1	Globe alu top hat 180-1		

For higher thickness with lightbox: use the lightbox - fix 135 and 180 mm

Other top hat caps are available.

On the technical side

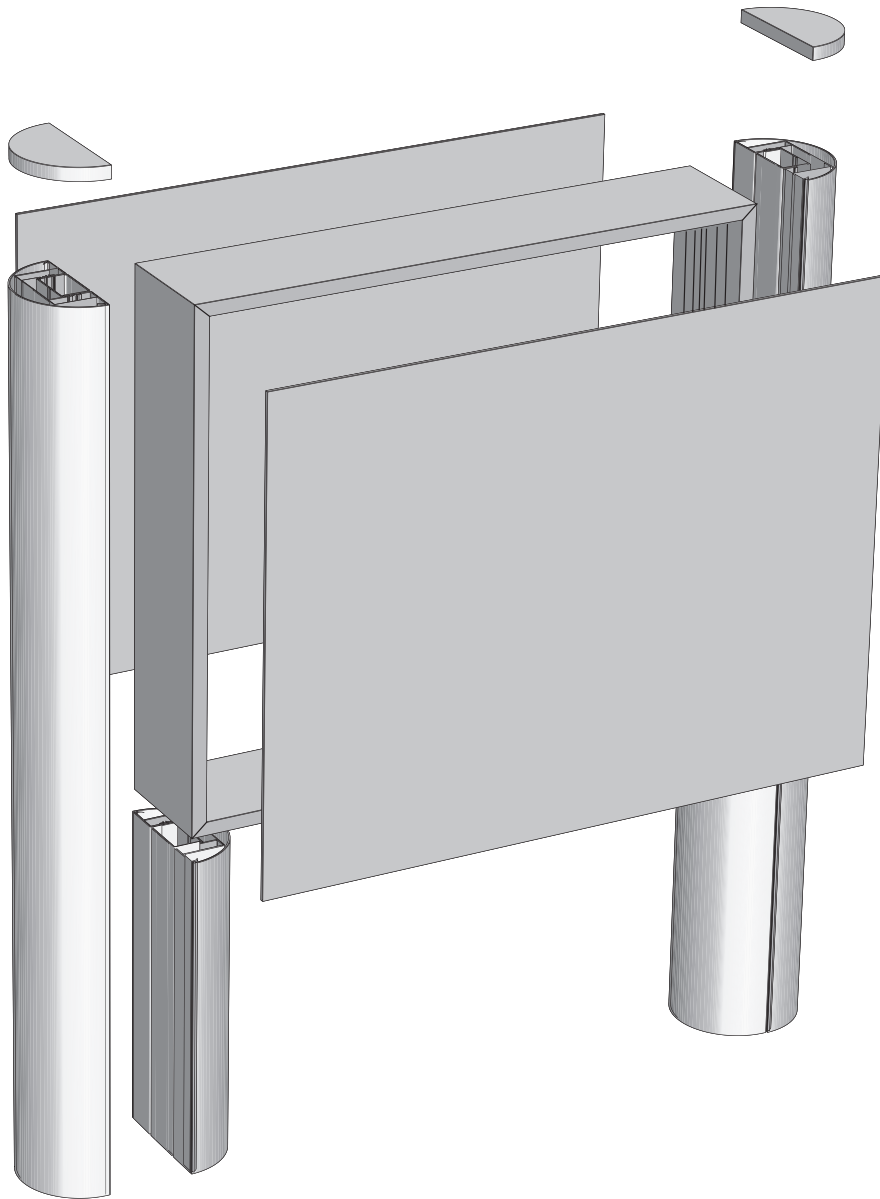
Simple and quick to assemble. Easy to maintain. The support sections can be sunk into the ground or mounted on metal foot plates anchored by bolts. As can be seen from the drawing, there are lots of possibilities for both types of section. Note also the special wall mounting, where the light box is mounted perpendicular to the wall without supporting poles.



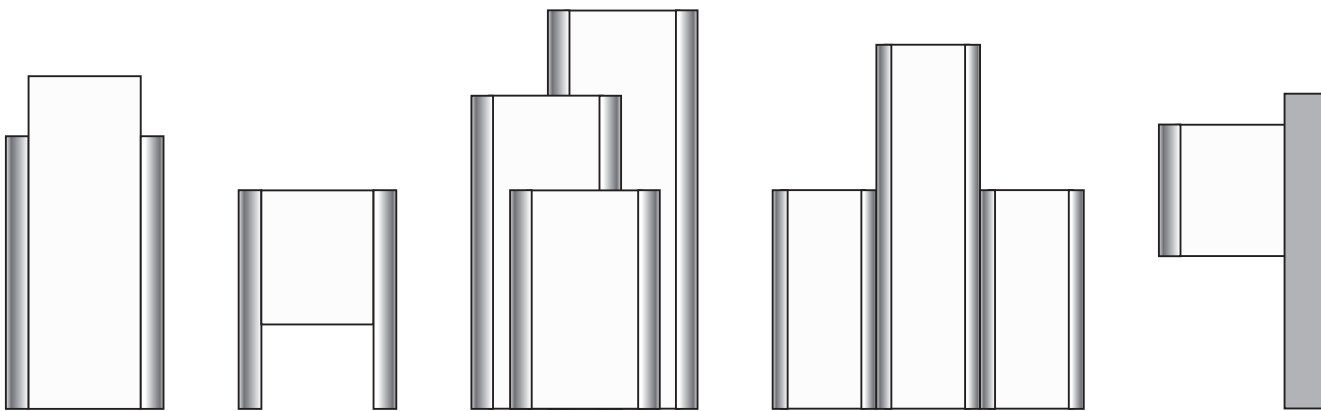
alu SIGN
TOTEM

Profiles in mill finish, anodised and RAL.
Plastic accessories in black and grey. White finish, as long as available.

■ CONSTRUCTION EXAMPLE GLOBE



Various versions are possible.
The possibilities are only limited
by your imagination.



*Profiles in mill finish, anodised and RAL.
Plastic accessories in black and grey. White finish, as long as available.*

Puts you on the map

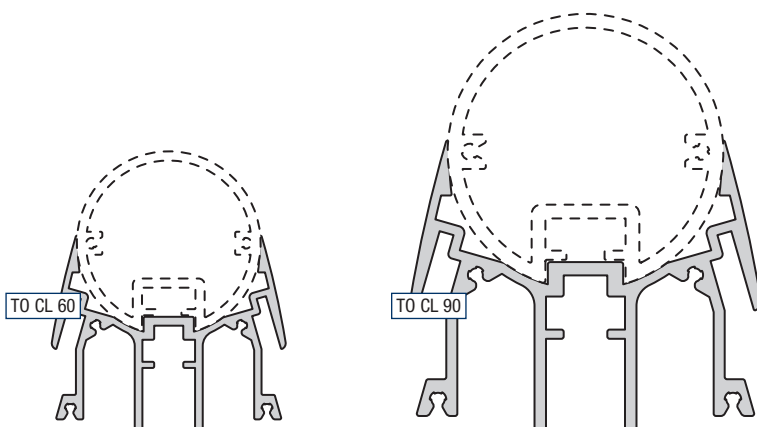
04:TOTEM



OVERVIEW TOTEM CLAM

CODE	TYPE
TO CL 60	Totem Clam post circular 60
TO CL 90	Totem Clam post circular 90

Totem construction is connected by OD FP 100.
 A sheet (max. thickness 4 mm) connects the two Totem clams.



CONSTRUCTION EXAMPLE TOTEM CLAM



Puts you on the map



Profiles in mill finish, anodised and RAL.
 Plastic accessories in black and grey. White finish, as long as available.